

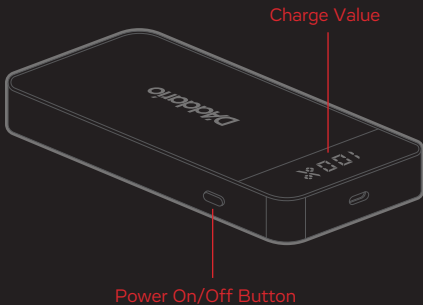
# XPND

PORTABLE POWER CELL

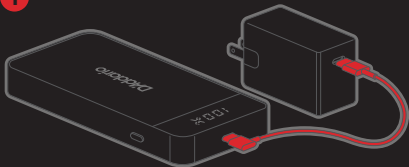


ASSEMBLY + INSTRUCTIONS

# OVERVIEW

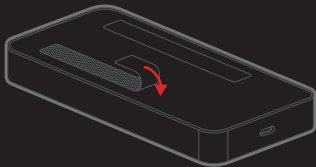


1



Fully charge Portable Power Cell using Power Supply and USB-C cables (not included).

3



If mounting on top of pedal board, apply hook fastener strips to the bottom of the battery.

2



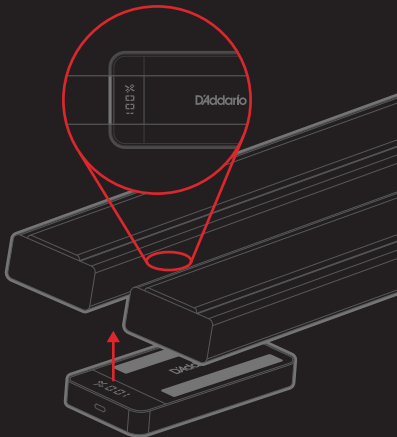
Press and hold side button to turn on Power Cell.

4



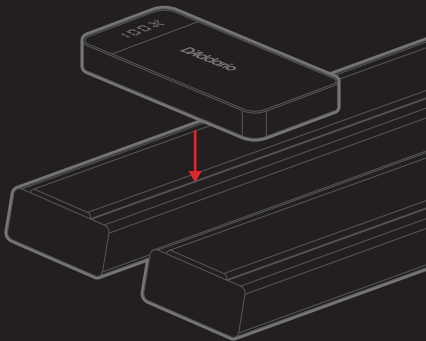
If mounting underneath pedal board, apply hook fastener strips to the top of the battery.

## UNDER MOUNTING



Bottom mounting: With hook strips applied to the top of the battery, place battery under board, parallel to rails, so the screen is visible between the rails and pedals.

## TOP MOUNTING



Top mounting: With hook strips applied to bottom of battery, mount perpendicular to rails at the beginning (most common placement) of your pedal array.

## INCLUDED PARTS



PORTABLE  
POWER CELL



HOOK  
FASTENERS